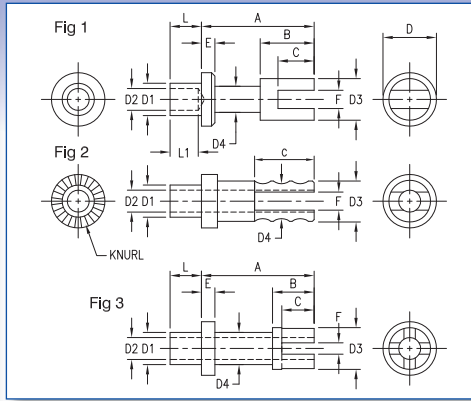


SOLDER TERMINALS - SLOTTED

Dimensions in inches (mm)
See page 92 for recommended Anvil and Punch



How to order code

140 - 10XX - XX - 01 - 00

Basic Part No. | Finish

Material Code Table		
Component	Material	RoHS
Terminal	Brass	✓

Finish Code Table		
Dash No.	Terminal Finish	RoHS
-01	Silver	✓

Fig.	Basic Part No.	L	Board Thickness	A	B	C	D	D1	D2	D3	D4	E	F	L1	Mtg. Hole Diameter
1	140-1025 -01	.078 (1.98)	.031 (0.79)	.391 (9.93)	.187 (4.75)	.125 (3.18)	.188 (4.78)	.112 (2.84)	.076 (1.93)	.145 (3.68)	.090 (2.29)	.047 (1.19)	.063 (1.60)	.068 (1.73)	.116 (2.95)
	-02	.109 (2.77)	.062 (1.57)											.098 (2.49)	
	-03	.141 (3.58)	.094 (2.39)												
	-04	.172 (4.37)	.125 (3.18)												
2	140-1027 -01	.075 (1.91)	.031 (0.79)	.328 (8.33)	-	.201 (5.11)	.188 (4.78)	.112 (2.84)	.070 (1.78)	.140 (3.56)	.109 (2.77)	.062 (1.57)	.052 (1.32)	-	.116 (2.95)
	-02	.105 (2.67)	.062 (1.57)												
	-03	.135 (3.43)	.094 (2.39)												
	-04	.165 (4.19)	.125 (3.18)												
3	140-1010 -01	.078 (1.98)	.031 (0.79)	.312 (7.92)	.144 (3.66)	.113 (2.87)	.188 (4.78)	.112 (2.84)	.078 (1.98)	.146 (3.71)	.112 (2.84)	.031 (0.79)	.040 (1.02)	-	.116 (2.95)
	-02	.109 (2.77)	.063 (1.60)												
	-03	.141 (3.58)	.094 (2.39)												
	-04	.172 (4.37)	.125 (3.18)												

